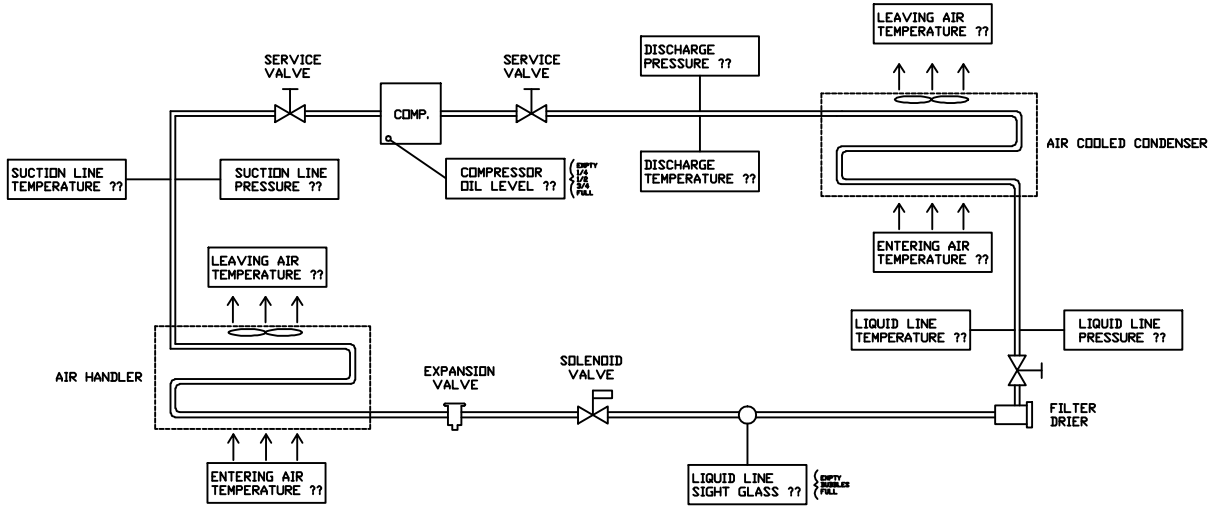


SERVICE ASSISTANT DIAGRAM



NOTES:

1. ACTIVATE SYSTEM AND ALLOW 20 MINUTES RUN TIME. (SHOULD SYSTEM SHUTDOWN BEFORE 20 MINUTE RUN TIME, ENTER PRESSURES AND TEMPERATURES AT TIME OF SHUTDOWN) ENTER PRESSURES AND TEMPERATURES IN APPROPRIATE BLOCKS.
2. YOUR SYSTEM MAY OR MAY NOT CONTAIN MORE COMPONENTS THAN SHOWN IN DIAGRAM SUCH AS RECEIVER, SUCTION ACCUMULATOR, ETC. ENTERING INFORMATION TO BLOCKS SHOULD ENABLE A DIAGNOSIS OF SYSTEM.
3. ALL INFORMATION MAY NOT BE OBTAINABLE FROM YOUR SYSTEM, ENTER WHAT IS AVAILABLE. NO INFORMATION IS BETTER THAN WRONG INFORMATION.
4. FOR WATER COOLED SYSTEM OR CHILL WATER PLANTS INSTALL WATER TEMPERATURES IN PLACE OF AIR TEMPERATURES.
5. SPECIFY UNITS OF MEASURE (FAHRENHEIT, CELSIUS, PSIG, ETC.) IN BLOCKS
6. DETAIL AND PECULIAR OPERATION, NOISES, RECENT SERVICE OR ANY INFORMATION THAT MAY BE HELPFUL IN FORMING AN ACCURATE DIAGNOSIS.

CONDENSING UNIT MANUFACTURER	???
CONDENSING UNIT MODEL	???
AIR HANDLER MANUFACTURER	???
AIR HANDLER MODEL	???
COMPRESSOR MANUFACTURER	???
COMPRESSOR MODEL	???
ROOM TEMPERATURE	???
AMBIENT TEMPERATURE	???
REFRIGERANT TYPE	???
COMPRESSOR AMPS L1	???
COMPRESSOR AMPS L2	???
COMPRESSOR AMPS L3	???

Name :

Phone :

You may also print and fax this form to EpS at 409-860-3428.